

COMMERCIAL PERFORMANCE FOR YOUR HOME



AFNE9B BLACK

Tested to Outlast

We still make them like we used to. Tested for 10,400 cycles which could be up to 25 years in the home. Our touch pads are tested for 1 million impressions.

Durable

Triple Coated, commercial-grade steel cabinet will look good and last for years to come, whilst full metal base provides stability and noise suppression.

Extra Capacity

Large 96.8 litre stainless steel tub. Big enough for even the largest family, with 180 swing door, a true 10kg washing machine.

Energy Efficient

Dynamic balancing, Incredible 440 G-force and 1,200rpm spin speed for optimum water extraction, and a spray rinse for outstanding results and water saving.

Commercial Grade

Commercial heavy-duty variable induction motor. All metal trunnion, bearing and drive shaft. With heavy-duty seal and commercial shock absorbers for strength and durability.

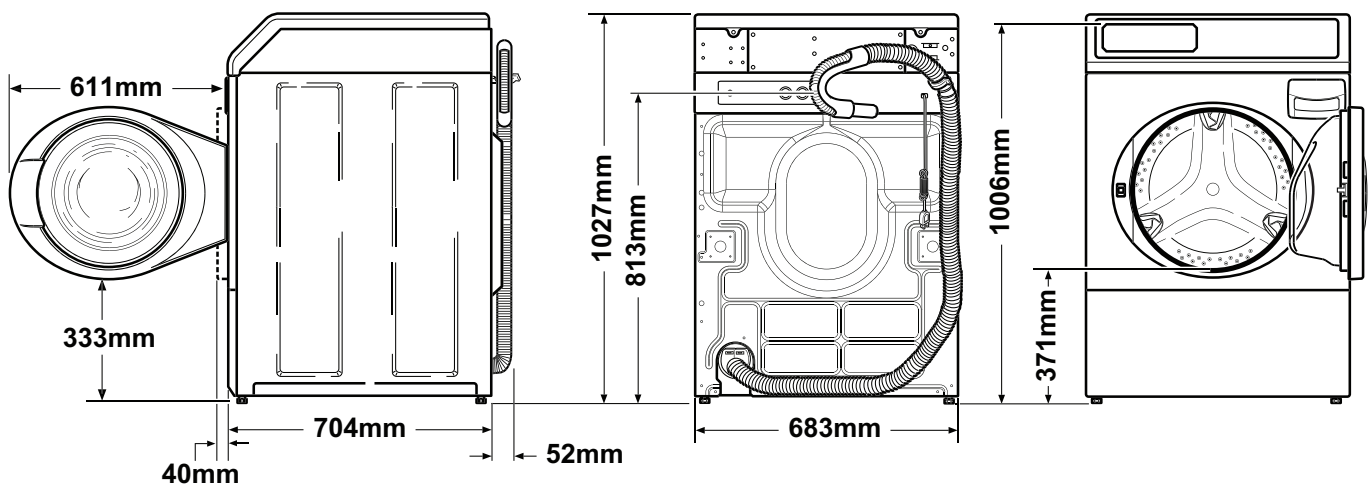
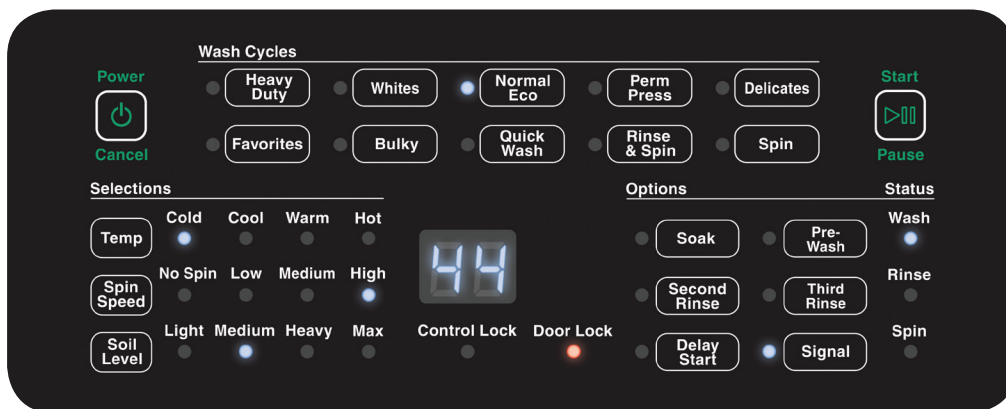
Convenient Cycle Times

Cycles to suit your lifestyle, Quick Wash, Light, just 24min.

SPEEDQUEEN.COM.AU

Model Number	AFNE9B Black
Capacity Kg	10 kg
Drum Capacity Litres	96.8 L
Dimensions (H X W X D)	1027 x 683 x 704 mm
Spin Speed G-Force (Rpm)	440 (1200)
Motor Size Kw (Hp)	Variable Speed Induction 0.67 (0.9)
Water Consumption Per Cycle Lt	126 L
Water Temperature Selection	4
Available Cycles	Heavy Duty, Normal Eco, Perm Press, Delicate, Rinse & Spin, Spin Only, Whites, Bulky, Quick & programmable Favourite cycles

Additional Options	Soak, Pre-Wash, Second Rinse, Third Rinse, Delay Start, Signal finish
Water Pressure Kpa(Psi)	140-830 (20-120)
Cycle Indicator Lights	Yes
Wash Tub	Stainless
Outer Wash Tub	Stainless
Fill Hoses Included	Yes, 1.2 Mtrs
Electrical Requirements (Voltage/Hz/Ph)	240 V / 50 Hz AC / 1 Ph
Shipping Dimensions (H X W X D)	1156 x 732 x 832 mm
Shipping Weight	122 kg



FRONT LOAD